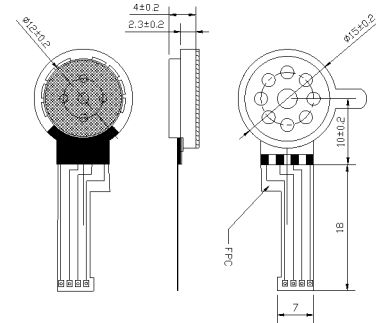


Multi Function Devices

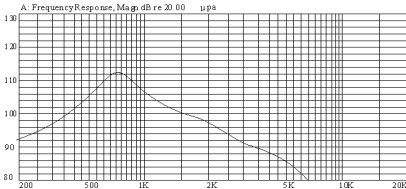
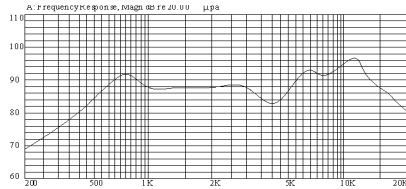
SM15S12R003-A



DIMENSIONS
 UNIT:mm
 Tolerance:± 0.2mm



FREQUENCY RESPONSE



SPECIFICATIONS

SPEAKER			RECEIVER		
Rated Impedance	Ω	8 ± 15%	Rated Impedance	Ω	32 ± 15%
Rated(Max.)Power	W	0.5/0.8	Rated(Max.)Power	mW	10/30
Resonant Frequency	Hz	750 ± 20%	Rated Freq.Range	Hz	300~3400
Rated Freq.Range	Hz	f ₀ ~10000	Sensitivity(at 179 mV/1kHz)	dB	113 ± 3
S.P.L.@0.1w/0.1m@1kHz	dB	86 ± 3			
Weight	g	1.5			
Operating Temperature	°C	-10~+50			