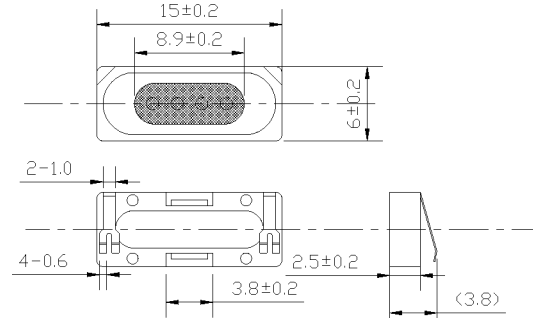


# Receiver

## SM0615R003

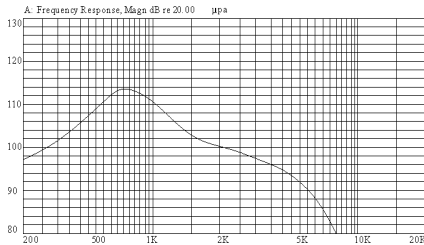


**DIMENSIONS**  
 UNIT:mm  
 Tolerance: ± 0.2mm



### SPECIFICATIONS

### FREQUENCY RESPONSE



Rated Impedance	Ω	$32 \pm 15\%$
Rated Input Power	mW	10
Maximum Input Power	mW	30
Rated Freq.Range	Hz	300~3400
Sensitivity	dB	$110 \pm 3$ at 179mV/1kHz
Weight	g	1.0
Operating Temperature Range	°C	-20~+40
Storage Temperature Range	°C	-30~+80