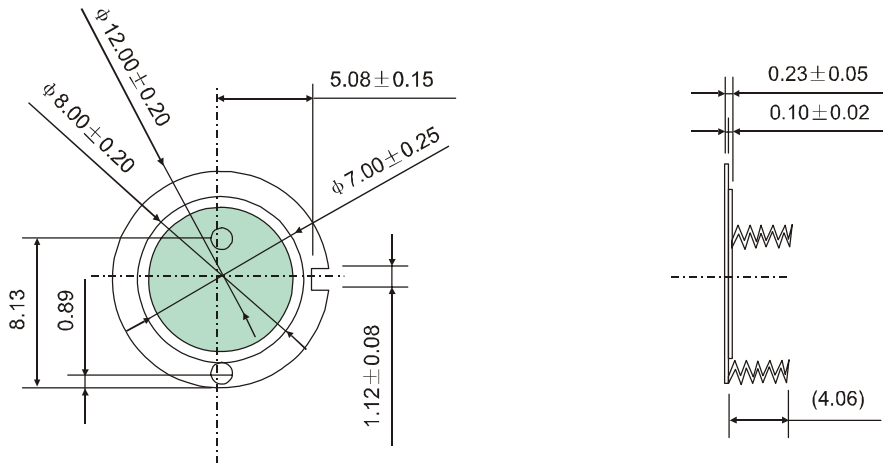


Piezeo Ceramic Buzzer Element

■ Model: FT-12T-85A1-spring

Outline:



Specification of piezoceramic plate:

Material	Resonant frequency (KHz)	Resonant resistance (Ω)	Electrostatic capacitance (μ F)	Max. input Voltage (V _{p-p})
brass	8.5 ± 0.5	< 1000	5000 ± 30	15

Specification of Spring:

1. material: stainless steel, $\phi 0.15 \pm 0.02$ mm;
2. outer diameter of spring: $\phi 1.5$ mm
3. total coils: 7;
4. active coils: 5;
5. free height of spring: 4.06 mm;
6. compressed height of spring: about 1.0 mm;
7. load characteristics: be compressed to 2.54 mm upon a force of 60 ± 10 g,
be compressed to 1.52 mm upon a force of 100 ± 15 g.
8. free ends of the spring should be closed square;
9. spring should be perpendicular to within 10° angle of piezo element/brass plate;
10. spring to be attached to the plates, resistance through attachment to be less than 100Ω with a breakaway force greater than 60 grams.

